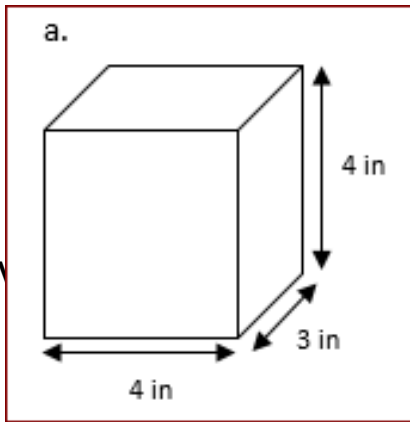


# Week 30- In Class Assignment

Name \_\_\_\_\_ Score \_\_\_\_/10

1. Show the multiplication sentence to solve this problem. (2 pts)

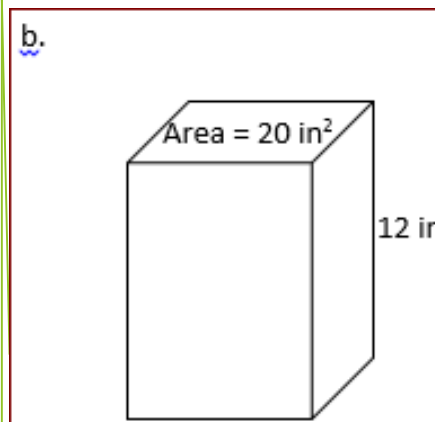


Number sentence:

\_\_\_\_\_

Volume = \_\_\_\_\_

2. Show the multiplication sentence to solve this problem. (2 pts)



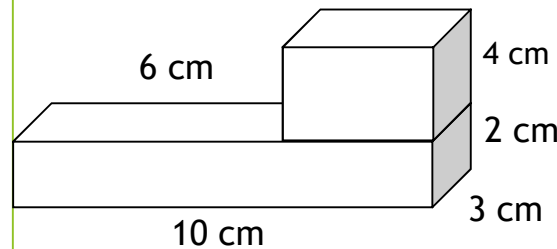
Number sentence:

\_\_\_\_\_

Volume = \_\_\_\_\_

3. Geoffrey's first planter is 8 feet long and 2 feet wide. The container is filled with soil to a height of 2 feet in the planter. What is the volume of soil in the planter?. (3 pts)

4. Show the multiplication sentence to solve this problem. (3 pts)



Number sentence:

\_\_\_\_\_

Volume = \_\_\_\_\_